

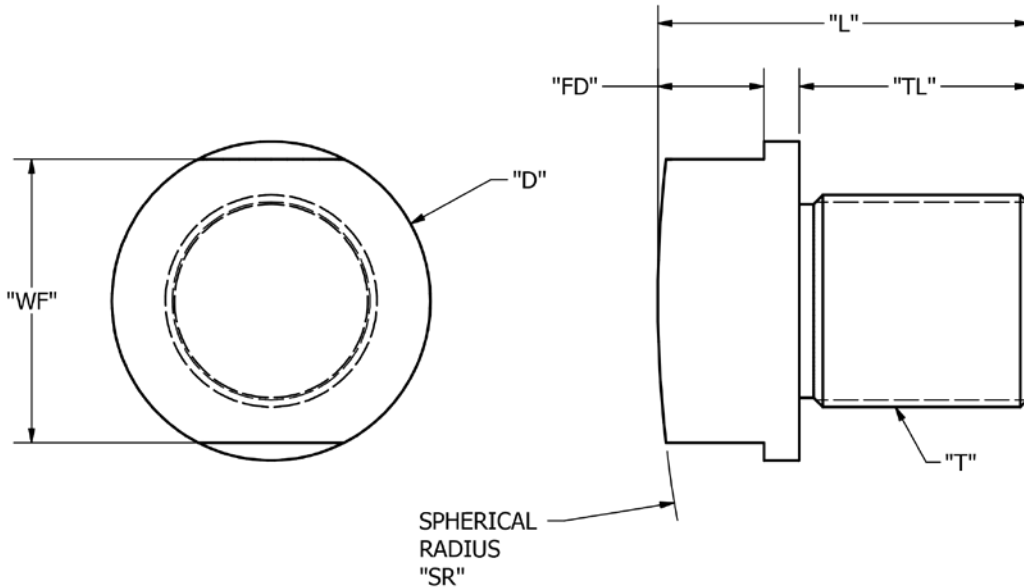
Load Buttons for Compression Measurement

Model 111



Summary Information

- Machined from 17-4 Ph Stainless Steel
- Hardened to Rc 40
- Other thread sizes available



LOAD BUTTONS FOR TENSION/COMPRESSION LOAD CELL APPLICATIONS						
RANGE LBS	"T"	"TL"	"SR"	"WF"	"FD"	"D"
5 to 25	1/4-28 UNF	.75	1	.375	.25	.50
50 to 1,000	3/8-24 UNF	.875	2	.625	.25	.75
2,000 to 5,000	1/2-20 UNF	.875	4	.625	.375	.75
7,500 to 15,000	1-14 UNS	1.625	5	1.25	.56	1.5
20,000 to 50,000	1-1/2-12 UNF	1.625	9	2.00	.75	2.25
75,000 to 100,000	2-1/2-8 UN	1.875	12	2.75	.94	3.00
150,000 to 200,000	3-8 UN	2.50	12	3.25	1.125	3.50
300,000 to 500,000	3-1/2- 8 UN	4.00	26	5.00	1.50	6.00